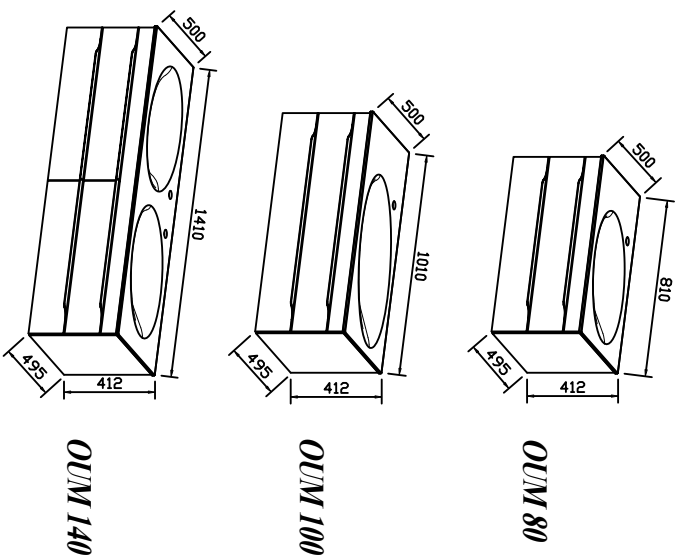


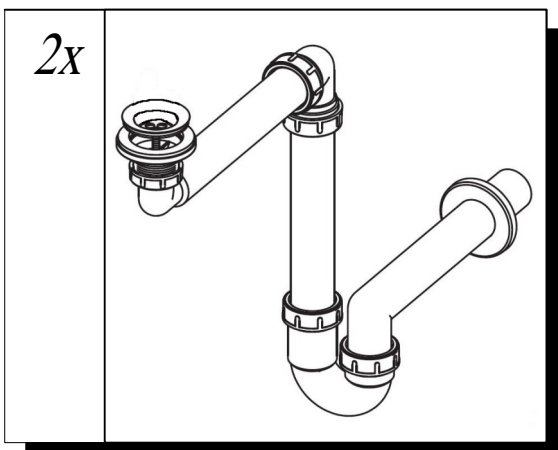
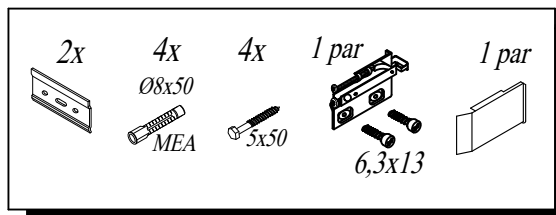
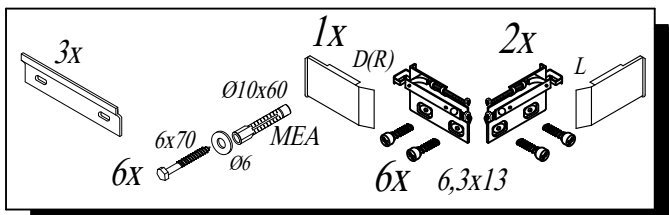
Kolpa·san®

by KOLPA

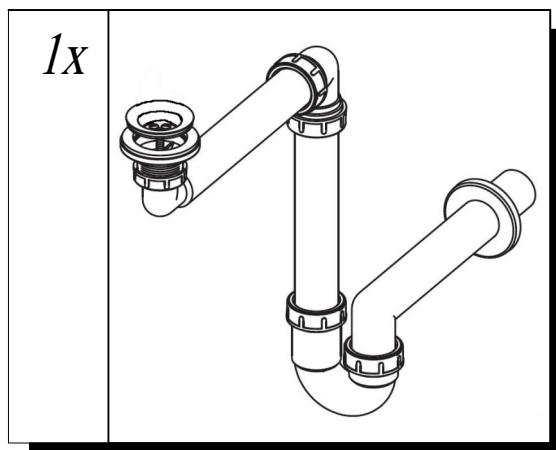
- SI** Montažno navodilo
- HR** Upute za montažu
- BIH** Upute za montažu
- SRB** Uputstva za montažu
- BIH** Uputstva za montažu
- CG** Uputstva za montažu
- MK** Инструкција за монтажа
- HU** Szerelési utasítás
- GB** Assembly instructions
- DE** Einbauleitungen
- RU** Инструкция по монтажу
- FR** Instruction d'assemblage



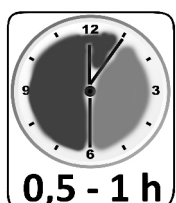
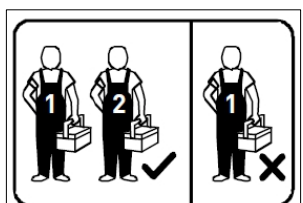
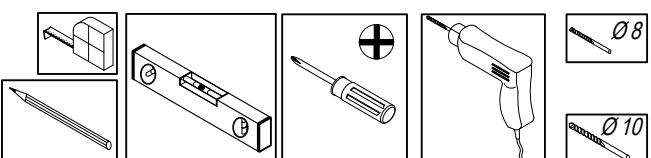
Tip: MALAYA - OUM 80, 100, 140



OUM 140



OUM 80, 100



1

Demontaža / Dismounting

Diagram illustrating the disassembly process for step 1. It shows the removal of the OUM unit from the cabinet. Key components and dimensions are labeled:

- Dimensions:** Ø8/49 mm, Ø8/60 mm, 28, 80, Ø10/59 mm, Ø10/80 mm.
- Labels:** L, L (OUM 140), L/2.
- Dimensions:** 13mm, 17mm.

	L
OUM 80	766 mm
OUM 100	966 mm
OUM 140	1366 mm

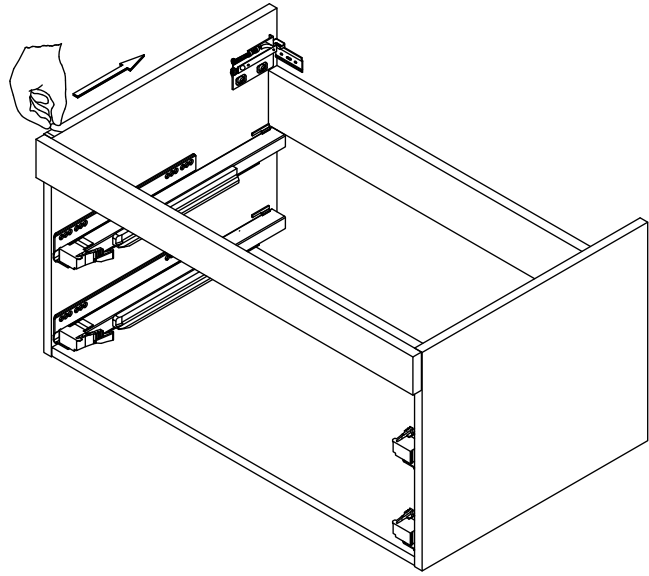
Demontaža / Dismounting

Secondary disassembly diagram for step 1, showing the removal of the OUM unit from the cabinet. Callouts 1 and 2 indicate specific removal points.

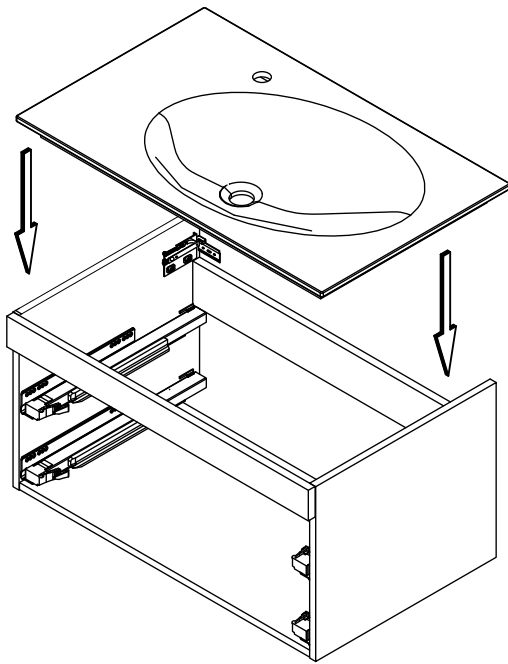
OUM 140

2

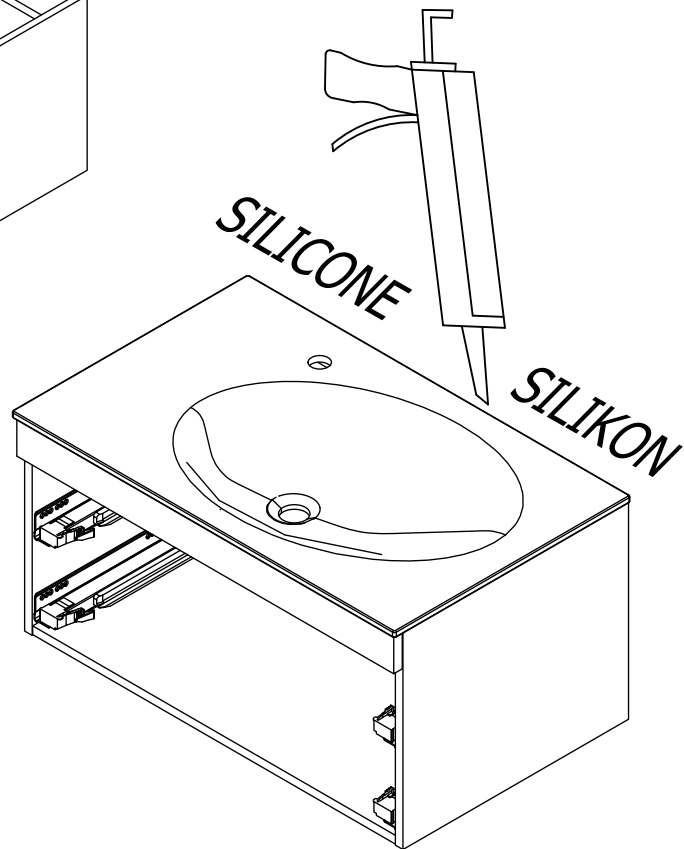
a)



b)

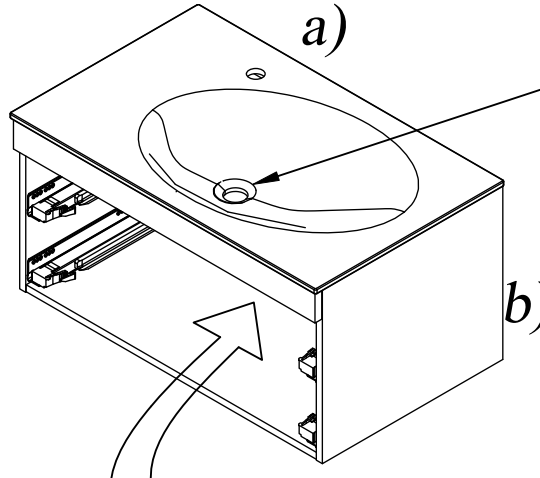


c)

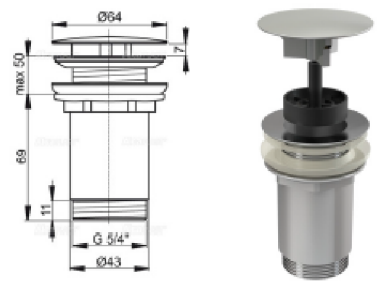
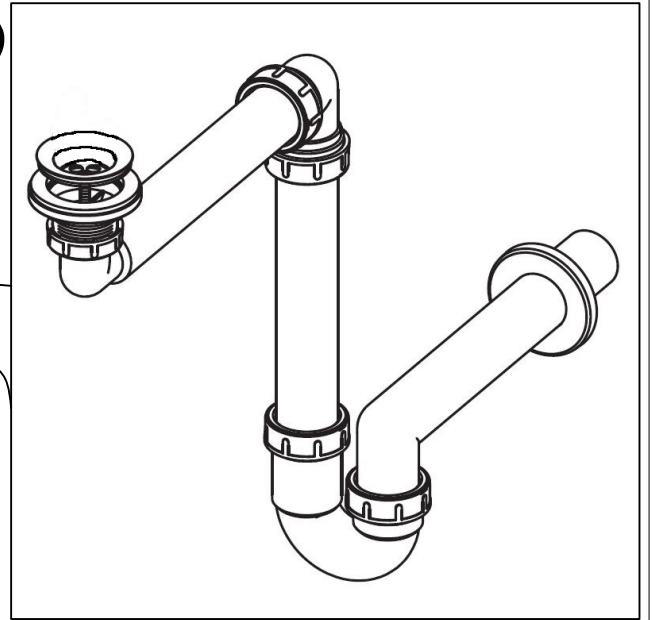


3

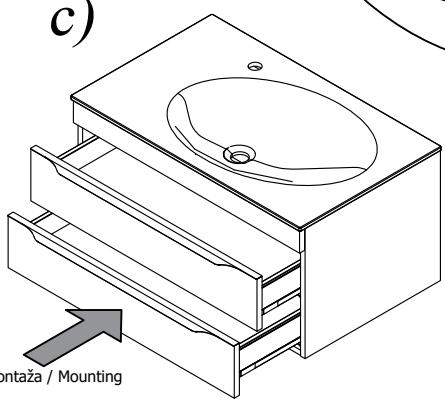
a)



b)

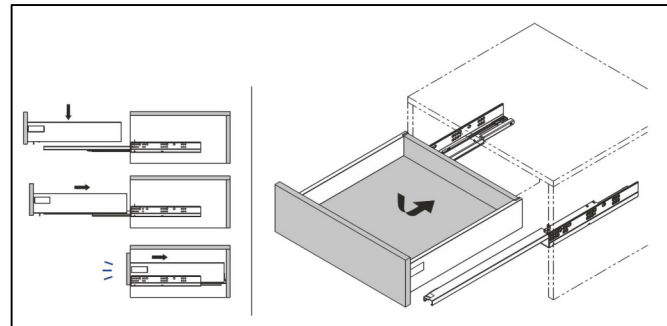


c)

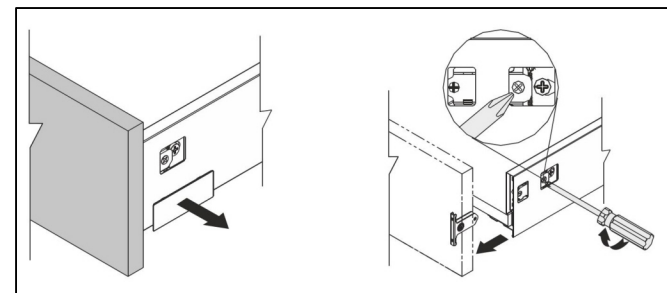


Montaža / Mounting

Montaža / Mounting



Odstranitev fronte / Removing of the front



Nastavitve / Adjustment

